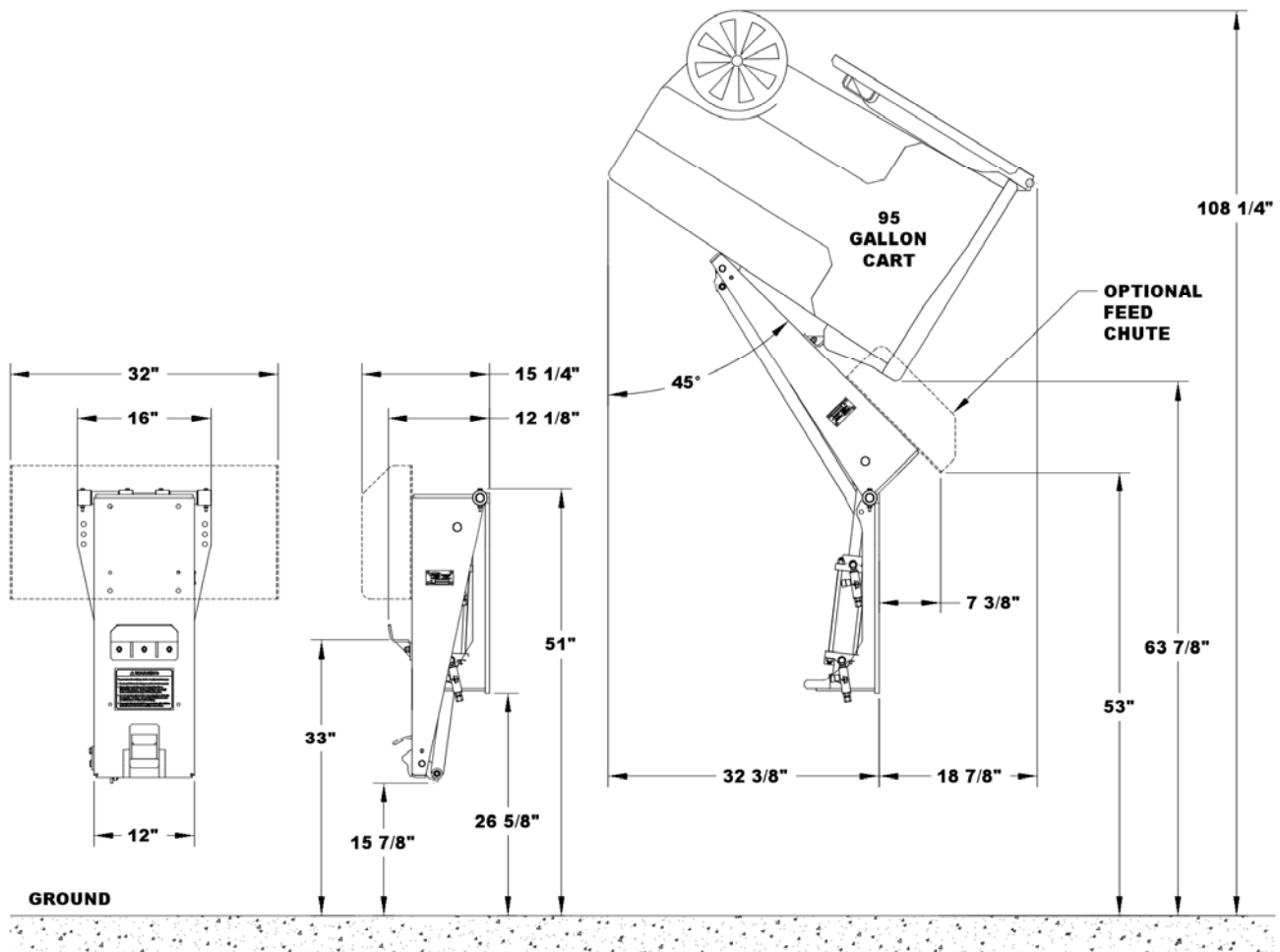


M480 Compactor Unit

Specifications and Dimensions

Cart Compatibility:	ANSI Z245.60-1996 Type B Carts (domestic style 2-bar)
Lift Capacity:	1000 lbs @ 1500 psi
Hydraulic Pressures:	Working Pressure - 1500 psi Maximum Pressure - 2500 psi
Hydraulic Flow:	2.5 gpm
Cycle Time:	15 seconds
Lubrication:	Greasable "Zerks"
Cylinder:	Heavy-Duty Tie Rod Cylinder 3" Bore x 8" Stroke
Finish:	Gray Primer
Options:	<ul style="list-style-type: none"> ▪ Mounting Kit for Bolt-On Applications ▪ Feed Chute ▪ Flow Control Kit ▪ Hydraulic Power Unit / Tap-In Kit



Bayne Premium Lift Systems

910 Fork Shoals Road, Greenville, SC 29605 • www.baynethinline.com

Toll Free: 800.535.2671 • Local: 864.288.3877 • Fax: 864.458.7519