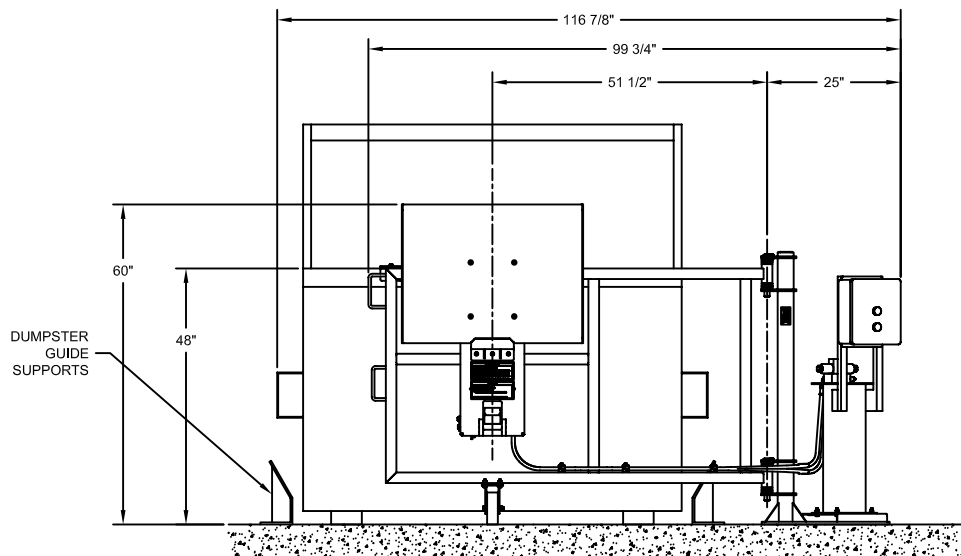
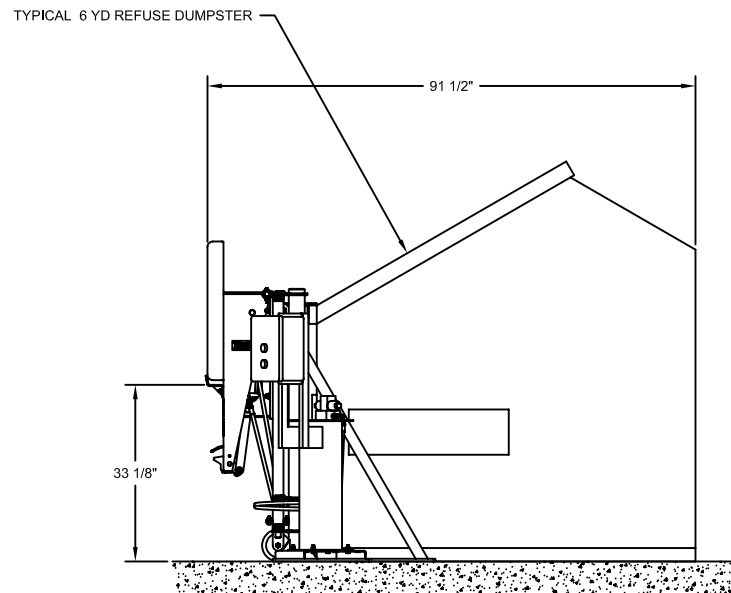


PLAN VIEW

- NOTE:
- COMPATIBLE CONTAINERS:
ANSI Z245.60-1996 TYPE B (DOMESTIC TWO-BAR) CONTAINERS
 - LIFT CAPACITY : 500 lbs @ 1500 PSI
 - CYCLE TIME: 15 SECONDS @ 1.8 GPM
 - POWER UNIT: 5 HP MOTOR
UL LISTED
1.8 GPM GEAR PUMP
4 GAL. OIL RESERVOIR
2500 PSI MAXIMUM PRESSURE
KEYED ON/OFF SWITCH
UP/DOWN SELECTOR SWITCH
 - ALL DIMENSIONS ARE APPROXIMATE.
 - PART NUMBERS: 1920-0094 - 230V three-phase
1920-0093 - 460V three-phase



FRONT ELEVATION



RIGHT SIDE ELEVATION

CONFIDENTIAL

THE INFORMATION CONTAINED IN THIS DRAWING IS THE SOLE PROPERTY OF BAYNE MACHINE WORKS, INC. AND IS RECALLABLE AT ANY TIME. IT MUST NOT BE COPIED OR USED DETRIMENTALLY TO THE INTEREST OF BAYNE MACHINE WORKS, INC.

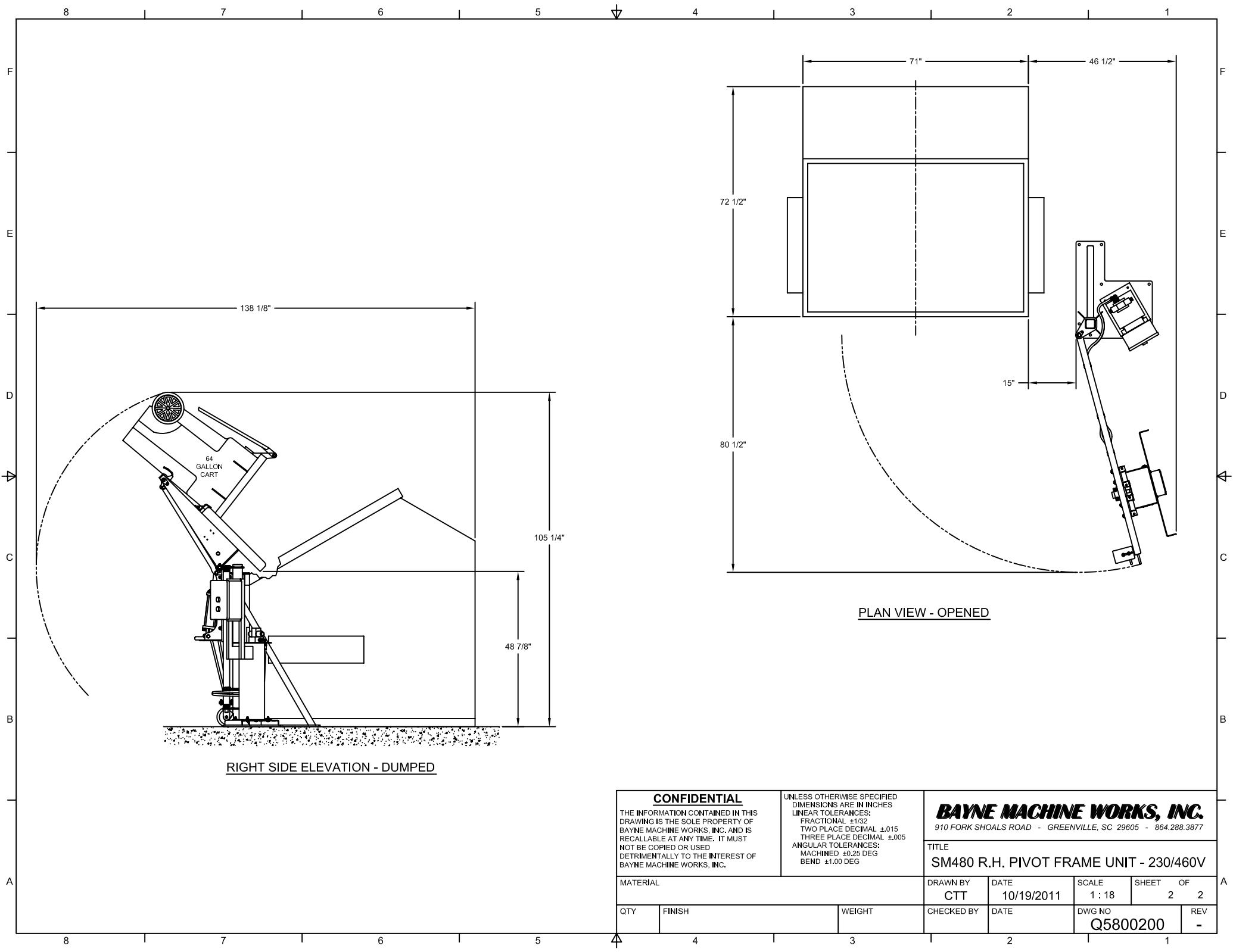
UNLESS OTHERWISE SPECIFIED DIMENSIONS ARE IN INCHES
 LINEAR TOLERANCES:
 FRACTIONAL ±1/32
 TWO PLACE DECIMAL ±.015
 THREE PLACE DECIMAL ±.005
 ANGULAR TOLERANCES:
 MACHINED ±0.25 DEG
 BEND ±1.00 DEG

BAYNE MACHINE WORKS, INC.

910 FORK SHOALS ROAD - GREENVILLE, SC 29605 - 864.288.3877

TITLE
SM480 R.H. PIVOT FRAME UNIT - 230/460V

MATERIAL		DRAWN BY CTT	DATE 10/19/2011	SCALE 1 : 18	SHEET 1	OF 2
QTY	FINISH	WEIGHT	CHECKED BY	DATE	DWG NO Q5800200	REV -



RIGHT SIDE ELEVATION - DUMPED

PLAN VIEW - OPENED

CONFIDENTIAL

THE INFORMATION CONTAINED IN THIS DRAWING IS THE SOLE PROPERTY OF BAYNE MACHINE WORKS, INC. AND IS RECALLABLE AT ANY TIME. IT MUST NOT BE COPIED OR USED DETRIMENTALLY TO THE INTEREST OF BAYNE MACHINE WORKS, INC.

UNLESS OTHERWISE SPECIFIED DIMENSIONS ARE IN INCHES
 LINEAR TOLERANCES:
 FRACTIONAL ±1/32
 TWO PLACE DECIMAL ±.015
 THREE PLACE DECIMAL ±.005
 ANGULAR TOLERANCES:
 MACHINED ±0.25 DEG
 BEND ±1.00 DEG

BAYNE MACHINE WORKS, INC.
 910 FORK SHOALS ROAD - GREENVILLE, SC 29605 - 864.288.3877

TITLE
SM480 R.H. PIVOT FRAME UNIT - 230/460V

MATERIAL		DRAWN BY CTT	DATE 10/19/2011	SCALE 1 : 18	SHEET 2	OF 2
QTY	FINISH	WEIGHT	CHECKED BY	DATE	DWG NO Q5800200	REV -