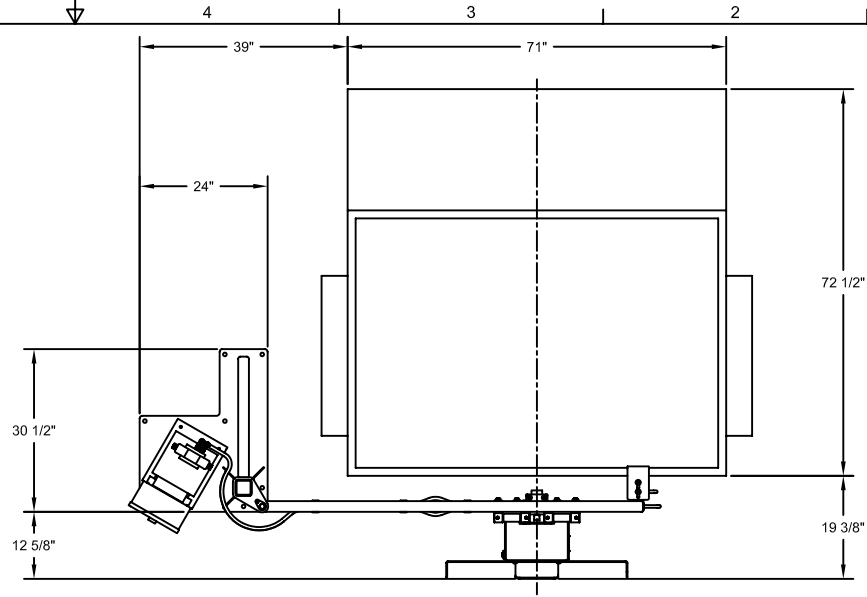
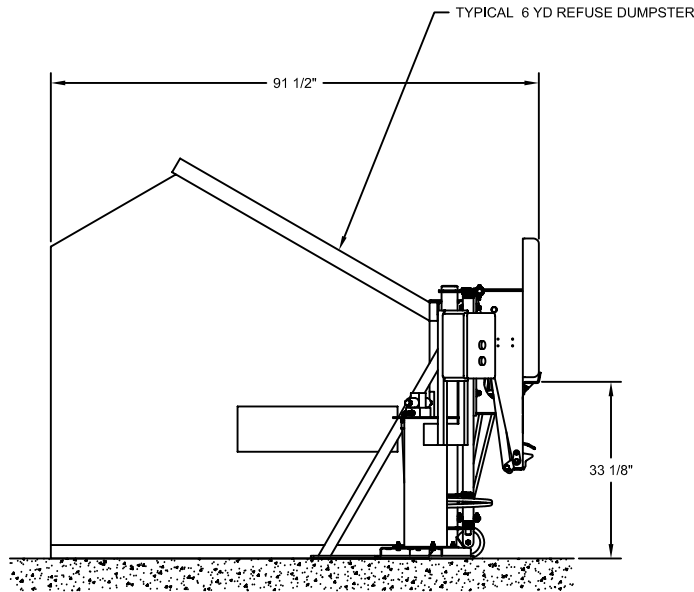


**NOTE:**

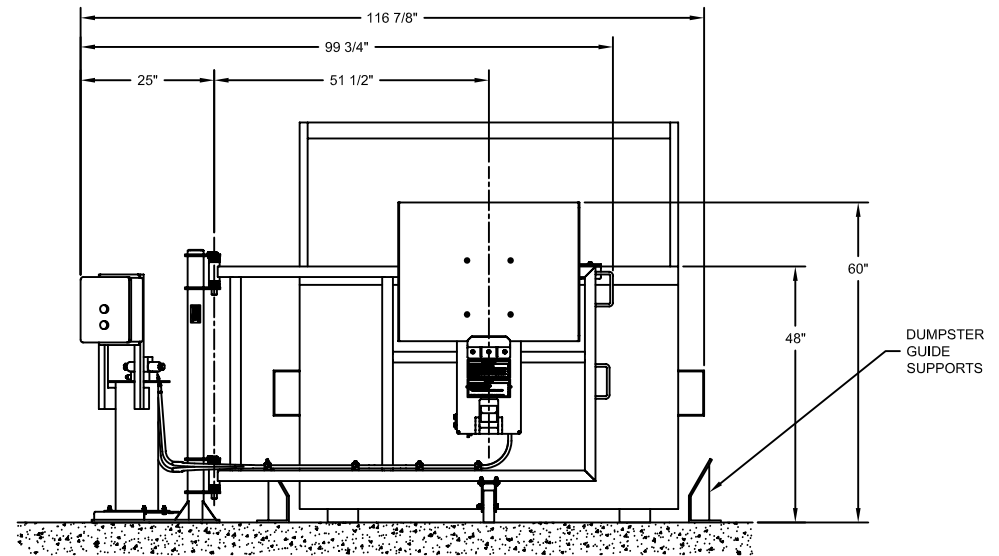
1. COMPATIBLE CONTAINERS:  
ANSI Z245.60-1996 TYPE B (DOMESTIC TWO-BAR) CONTAINERS
2. LIFT CAPACITY : 500 lbs @ 1500 PSI
3. CYCLE TIME: 15 SECONDS @ 1.8 GPM
4. POWER UNIT: 5 HP MOTOR  
UL LISTED  
1.8 GPM GEAR PUMP  
4 GAL. OIL RESERVOIR  
2500 PSI MAXIMUM PRESSURE  
KEYED ON/OFF SWITCH  
UP/DOWN SELECTOR SWITCH
5. ALL DIMENSIONS ARE APPROXIMATE.
6. PART NUMBERS: 1920-0092 - 230V three-phase  
1920-0096 - 460V three-phase



**PLAN VIEW**

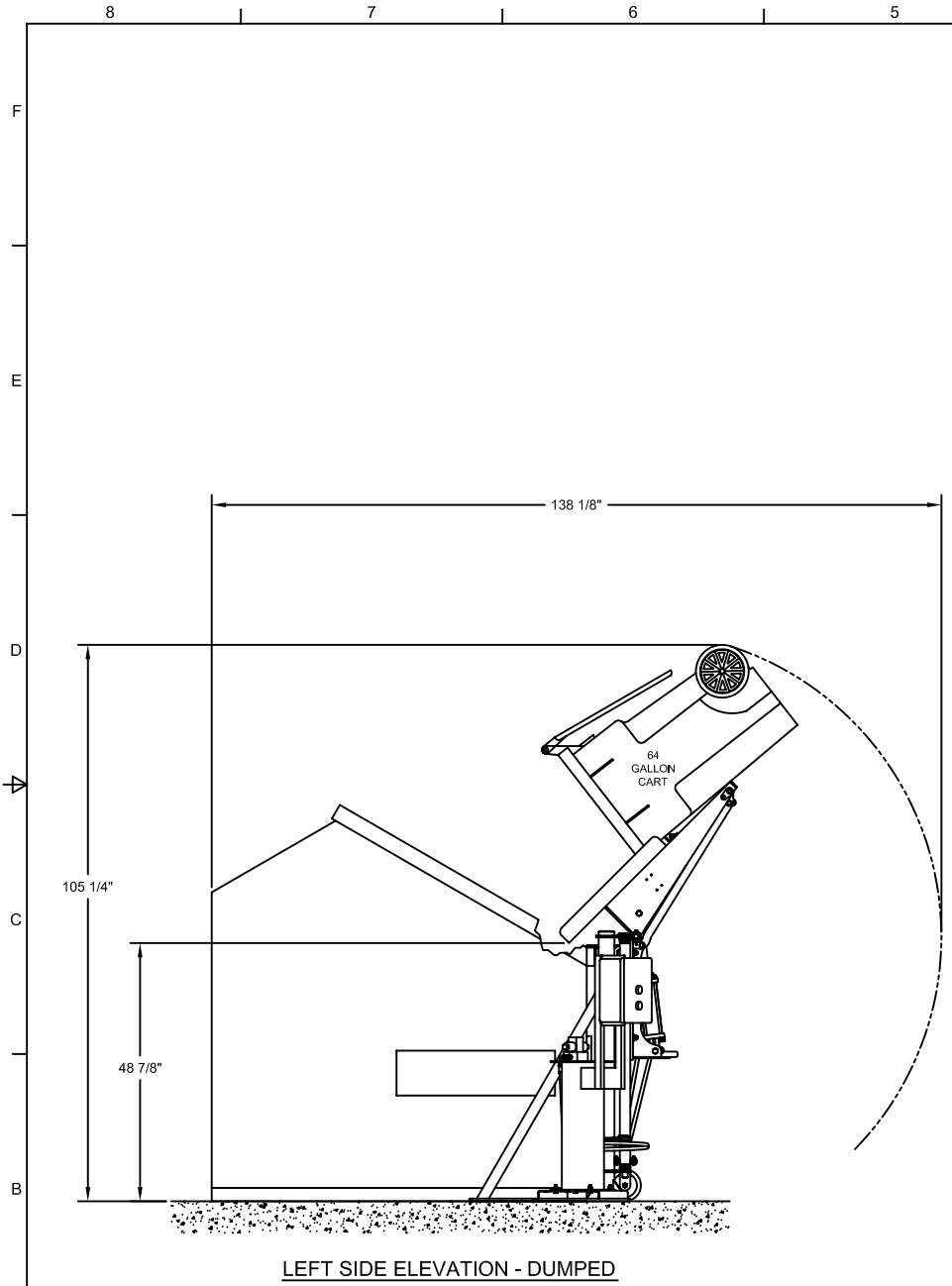


**LEFT SIDE ELEVATION**

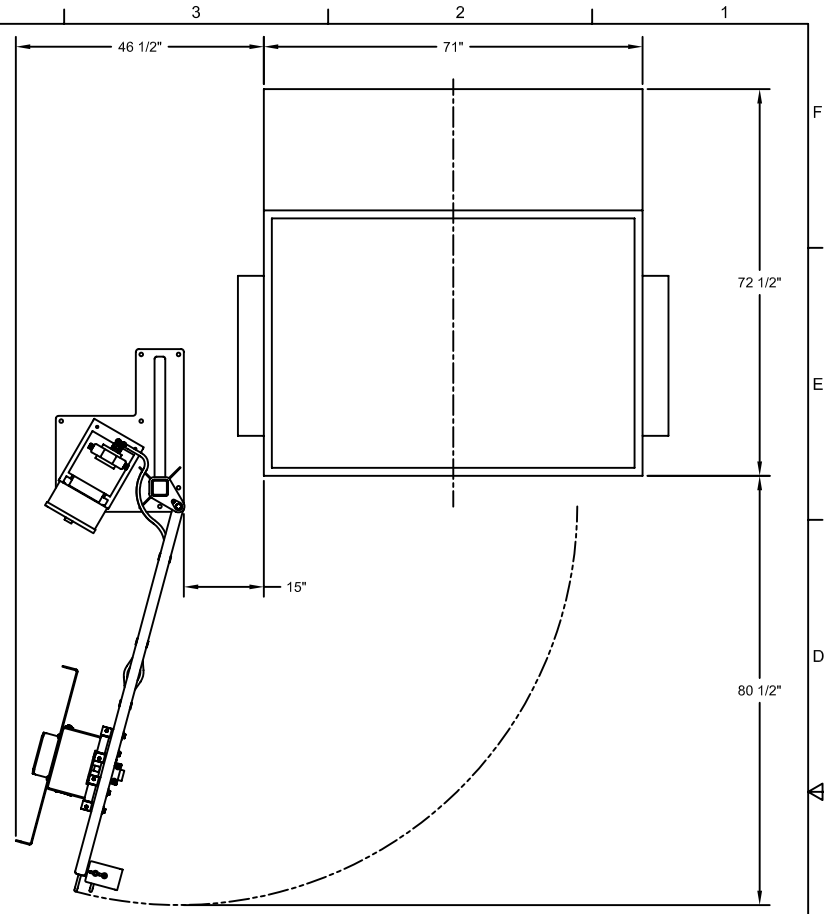


**FRONT ELEVATION**

<p><b>CONFIDENTIAL</b></p> <p>THE INFORMATION CONTAINED IN THIS DRAWING IS THE SOLE PROPERTY OF BAYNE MACHINE WORKS, INC. AND IS RECALLABLE AT ANY TIME. IT MUST NOT BE COPIED OR USED DETRIMENTALLY TO THE INTEREST OF BAYNE MACHINE WORKS, INC.</p>		<p>UNLESS OTHERWISE SPECIFIED DIMENSIONS ARE IN INCHES</p> <p>LINEAR TOLERANCES: FRACTIONAL ±1/32 TWO PLACE DECIMAL ±.015 THREE PLACE DECIMAL ±.005</p> <p>ANGULAR TOLERANCES: MACHINED ±0.25 DEG BEND ±1.00 DEG</p>		<p><b>BAYNE MACHINE WORKS, INC.</b> 910 FORK SHOALS ROAD - GREENVILLE, SC 29605 - 864.288.3877</p>			
				<p>TITLE SM480 L.H. PIVOT FRAME UNIT - 230/460V</p>			
MATERIAL		DRAWN BY CTT	DATE 10/19/2011	SCALE 1 : 18	SHEET 1	OF 2	
QTY	FINISH	WEIGHT	CHECKED BY	DATE	DWG NO Q5800199	REV -	



LEFT SIDE ELEVATION - DUMPED



PLAN VIEW - OPENED

**CONFIDENTIAL**

THE INFORMATION CONTAINED IN THIS DRAWING IS THE SOLE PROPERTY OF BAYNE MACHINE WORKS, INC. AND IS RECALLABLE AT ANY TIME. IT MUST NOT BE COPIED OR USED DETRIMENTALLY TO THE INTEREST OF BAYNE MACHINE WORKS, INC.

UNLESS OTHERWISE SPECIFIED DIMENSIONS ARE IN INCHES  
 LINEAR TOLERANCES:  
 FRACTIONAL ±1/32  
 TWO PLACE DECIMAL ±.015  
 THREE PLACE DECIMAL ±.005  
 ANGULAR TOLERANCES:  
 MACHINED ±0.25 DEG  
 BEND ±1.00 DEG

**BAYNE MACHINE WORKS, INC.**  
 910 FORK SHOALS ROAD - GREENVILLE, SC 29605 - 864.288.3877

TITLE  
**SM480 L.H. PIVOT FRAME UNIT - 230/460**

MATERIAL		DRAWN BY CTT	DATE 10/19/2011	SCALE 1 : 18	SHEET OF 2 2
QTY	FINISH	WEIGHT	CHECKED BY	DATE	DWG NO Q5800199
					REV -