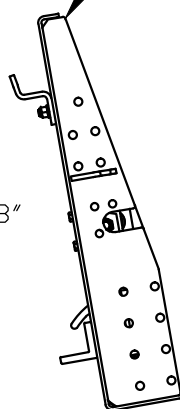
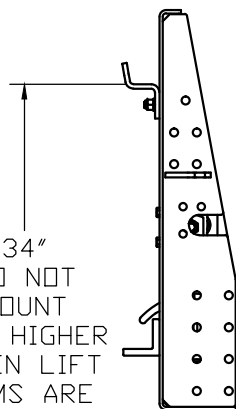


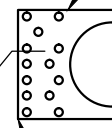
YOU CAN MOUNT  
AT ANGLE AS  
NEEDED FOR CLEARANCE



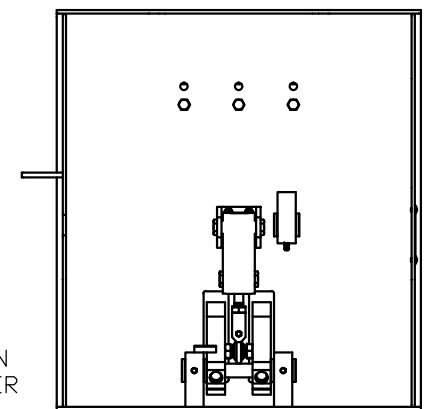
34"  
DO NOT  
MOUNT  
ANY HIGHER  
WHEN LIFT  
ARMS ARE  
DOWN OR  
WHERE YOU  
WANT THE  
ARMS TO BE  
AT PICKUP



WELD PLATE



MOUNT IN LOCATION  
NEEDED FOR PROPER  
SADDLE HEIGHT



CONFIDENTIAL

This drawing is private and confidential communication and the property of BAYNE MACHINE WORKS, INC., Greenville, S.C. It MUST NOT be copied or lent without consent of BAYNE MACHINE WORKS, INC., and must be promptly returned with tender and/or completion of order to the purchasing department.

|                |            |         |           |
|----------------|------------|---------|-----------|
| SCALE:<br>NONE | SHEET<br>1 | OF<br>1 | REV.<br>- |
|----------------|------------|---------|-----------|

**BAYNE MACHINE WORKS, INC.**  
910 FORK SHOALS ROAD - GREENVILLE, SC 29605 - 864.288.3877

TOLERANCES IF NOT NOTED:  
0.000 ±0.005 - 0.00 ±0.015  
0/0 ±1/32 - ANGULAR ±0.25°

DRAWN BY: WTS  
DATE: 03/25/10

CHK'D BY: DATE:

TITLE: AIR HOOK LIFT  
MOUNTING SPECS

DWG. NO.: