



GRL Series

Mobile Refuse Cart Lifter

The Grabber products are the most versatile series of lifters from **Bayne Premium Lift Systems**. These products were specifically designed for the hauler who must pick up a variety of different residential roll-out carts and large commercial containers on the same route. The GRL clamp arm design is the first one in the industry that does not require the removal of the clamp arms to dump commercial containers. The **GRL series** is ideally suited for rear load applications by offering an ample amount of ground clearance, thus reducing the risk of damaging the lifter on uneven terrain such as alley entrances, landfills, etc.

- Powered by the patented Thinline® rack and pinion rotary actuator for smooth operation
- Compatible with both semi-automated and fully automated roll-out carts
- Clamp arms do not have to be removed to dump commercial containers
- Measures only 7 1/8" thick in fully unclamped position
- 19" of ground clearance reduces the risk of damaging the lifter on uneven terrain
- Dumps cart higher and deeper inside the hopper opening to prevent spillage and increase route stops before cycling packer blade
- Self-lubricating composite bearings at main pivot points
- Powder-coated finish for durability
- 2-Year Limited Warranty



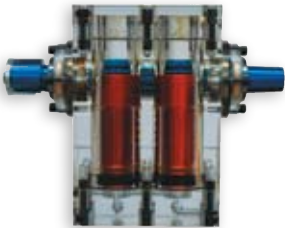
Premium Lift Systems

Precision, Quality and...Patented Engineering!

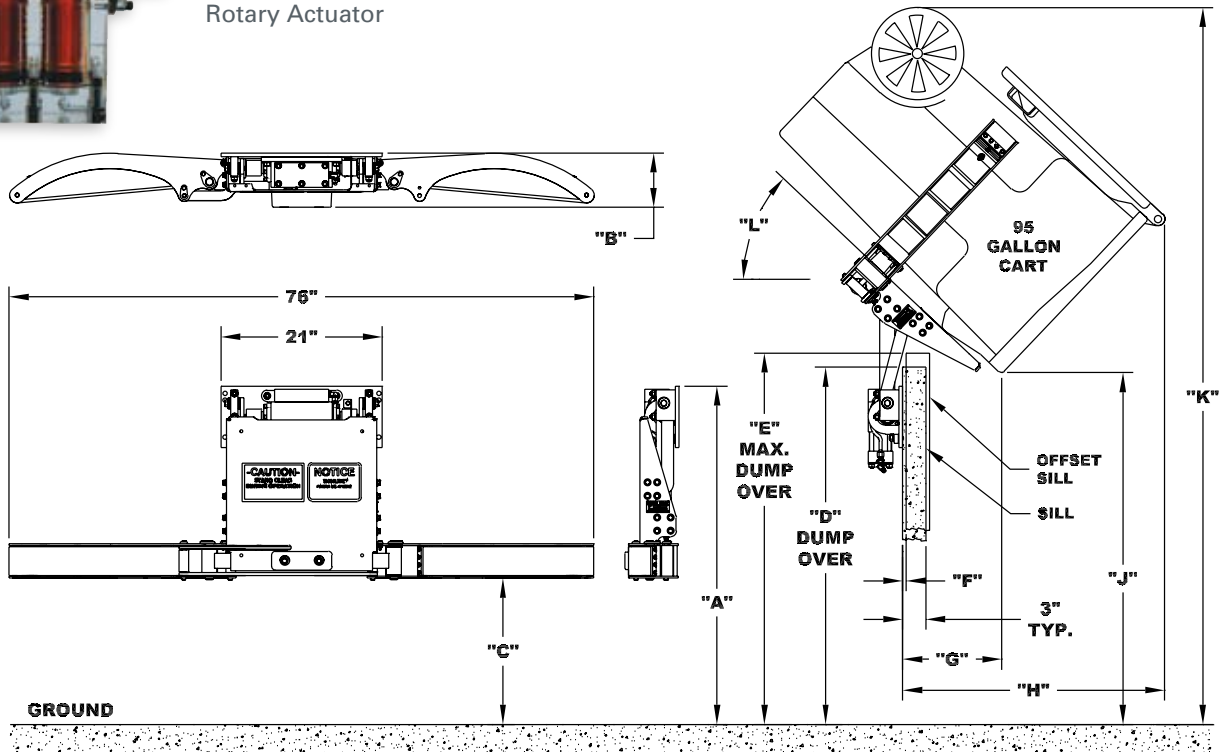
GRL Series

Specifications and Dimensions

Cart Compatibility:	ANSI Z245.60-1996 Type B Carts (domestic style 2-bar) ANSI Z245.60-1996 Type C Carts (European style) ANSI Z245.60-1996 Type D Carts (pocketed style) ANSI Z245.60-1996 Type G Carts (automated style) Standard size 30 and 55 gallon drums
Lift Capacity:	400 lbs @ 1800 psi
Hydraulic Pressures:	Working Pressure – 1800 psi Maximum Pressure – 2500 psi
Hydraulic Flow:	2.0 – 2.5 gpm
Cycle Time:	10 – 12 seconds
Bearings:	Self-Lubricating Composite Material
Actuator:	Patented Thinline® Rack and Pinion Rotary Actuator
Finish:	Safety Yellow Powder Coating
Options:	<ul style="list-style-type: none"> • Tap-In-Kit • Mounting Plate Kit for Bolt-On Application • Commercial Container Bumper Kit



Patented Thinline®
Rack and Pinion
Rotary Actuator



MODEL NUMBER	"A" DIM.	"B" DIM.	"C" DIM.	"D" DIM.	"E" DIM.	"F" DIM.	"G" DIM.	"H" DIM.	"J" DIM.	"K" DIM.	"L" DIM.
GRL 1110	40"	7 1/8"	19"	40 1/2"	N/A	N/A	12 7/8"	34"	37 3/4"	85 1/4"	43"
GRL 1112	42"	7 1/8"	19"	43 5/8"	44 3/4"	3/8"	13 1/4"	33 1/4"	42 5/8"	89 3/8"	40"
GRL 1114	44"	7 1/8"	19"	46 1/2"	48 1/4"	1/2"	12 7/8"	34"	45 3/4"	93 1/4"	43"

Bayne Premium Lift Systems

208 Fairforest Way, Greenville, SC 29607 • www.baynethinline.com
Toll Free: 800.535.2671 • Local: 864.288.3877 • Fax: 864.458.7519

© 2005, Bayne Premium Lift Systems
Printed in U.S.A. Form #BLS-07-001-041505