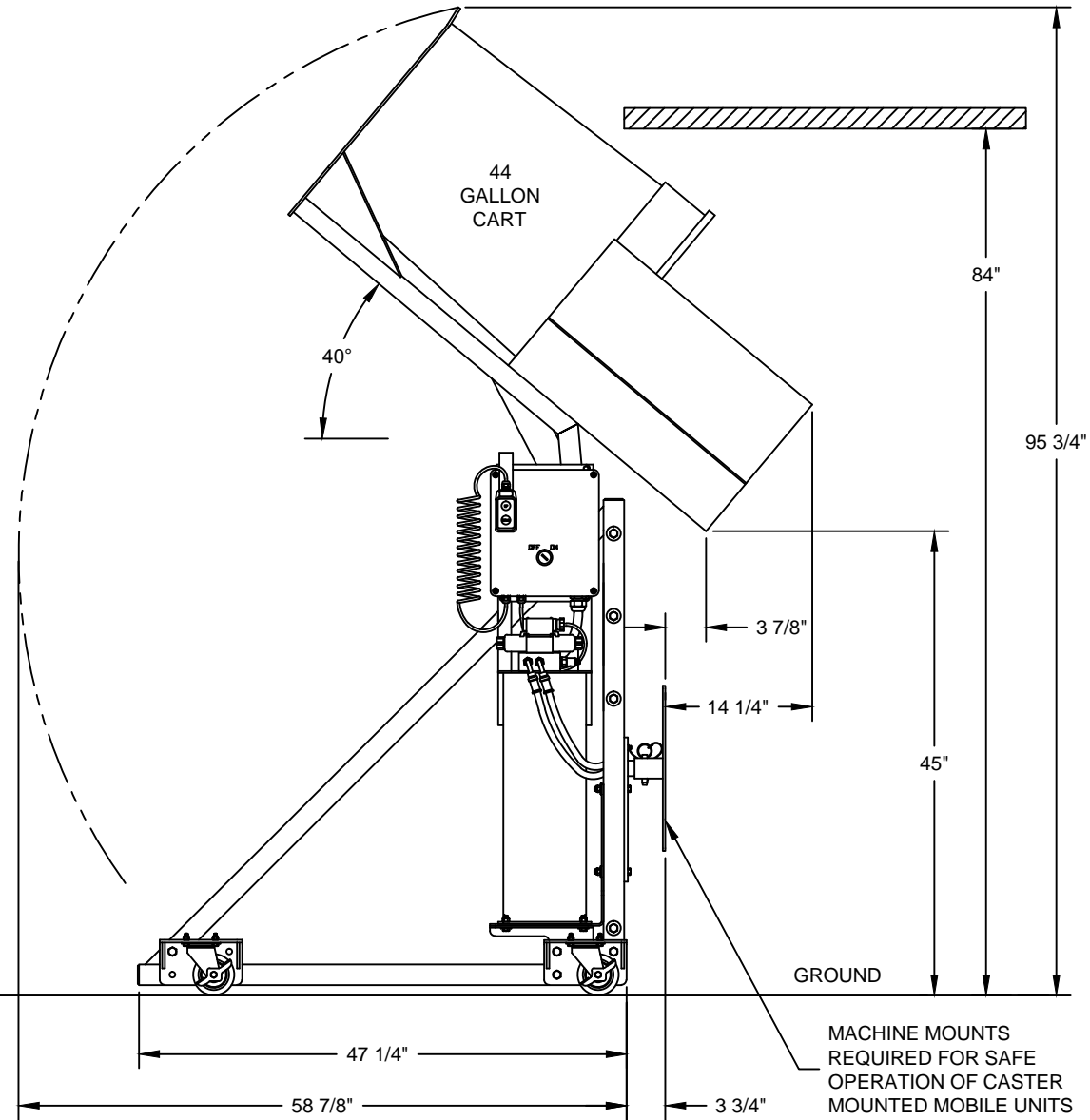
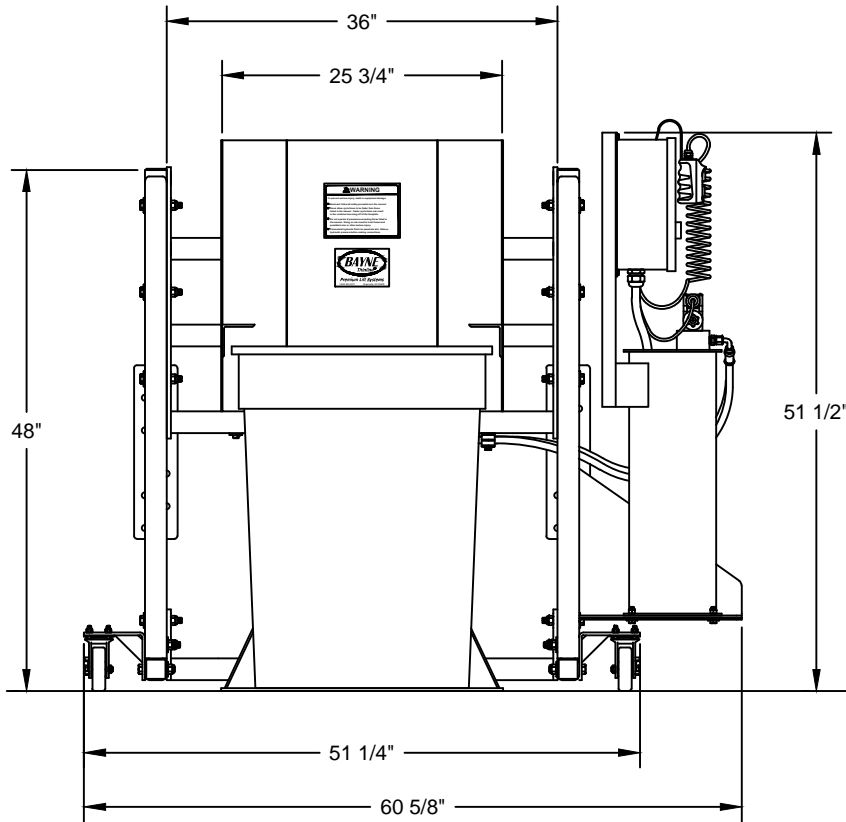


**NOTE:**

1. COMPATIBLE CONTAINERS:  
 RUBBERMAID #2632 - 32 gal. BRUTE CONTAINER  
 RUBBERMAID #2643 - 44 gal. BRUTE CONTAINER
2. LIFT CAPACITY: 500 lbs @ 2000 PSI
3. CYCLE TIME: 12 SECONDS @ 1.8 GPM
4. POWER UNIT: 5 HP MOTOR (460V three-phase)  
 1.8 GPM GEAR PUMP  
 4 GALLON OIL RESERVOIR  
 2500 PSI MAXIMUM PRESSURE  
 KEYED ON/OFF SWITCH  
 HAND HELD PENDENT CONTROL w/ 6' CORD
5. ALL DIMENSIONS ARE APPROXIMATE.



CUSTOMER APPROVAL DRAWING	
This drawing is private and confidential communication and the property of BAYNE MACHINE WORKS, INC., Greenville, S.C. It MUST NOT be copied or lent without consent of BAYNE MACHINE WORKS, INC.	<b>SUBMITTED FOR YOUR APPROVAL</b> This proposal drawing will not be released for production without a signed approval. Please review this drawing and the product shown carefully and mark all changes required.
This drawing supersedes all drawings of previous issue. Destroy all drawings of this part number issued prior to this date: 05/14/2010	Name _____ Date _____ Title _____ Company _____

<b>CONFIDENTIAL</b>			UNLESS OTHERWISE SPECIFIED DIMENSIONS ARE IN INCHES LINEAR TOLERANCES: FRACTIONAL ±1/32 TWO PLACE DECIMAL ±.015 THREE PLACE DECIMAL ±.005 ANGULAR TOLERANCES: MACHINED ±0.25 DEG BEND ±1.00 DEG			<b>BAYNE MACHINE WORKS, INC.</b>					
THE INFORMATION CONTAINED IN THIS DRAWING IS THE SOLE PROPERTY OF BAYNE MACHINE WORKS, INC. AND IS RECALLABLE AT ANY TIME. IT MUST NOT BE COPIED OR USED DETRIMENTALLY TO THE INTEREST OF BAYNE MACHINE WORKS, INC.			910 FORK SHOALS ROAD - GREENVILLE, SC 29605 - 864.288.3877			TITLE <b>FS45-CAS-460-RHC SPECIFICATIONS</b>					
MATERIAL		DRAWN BY		DATE		SCALE		SHEET OF			
		CTT		05/14/2010		NONE		1 OF 1			
QTY			FINISH			CHECKED BY			DATE		
									DWG NO <b>H5800041</b>		
									REV -		