

# BTL Series



## Mobile Refuse Cart Lifter

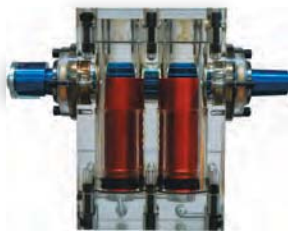
The **BTL series** is one of the best selling lines of lifters from **Bayne Premium Lift Systems**. This lifter was specifically designed to offer greater ground clearance for rear load applications, thus reducing the risk of damaging the lifter on uneven terrain such as alley entrances, landfills, etc. This additional ground clearance makes the BTL a perfect choice for rear load applications with commercial container lift bars. BTL lifters may be combined with a vertical assembly to make a VBTL lifter. VBTL models add 9" of vertical travel and 3 1/2" of thickness to the BTL lifter.

- Powered by the patented Thinline® rack and pinion rotary actuator for smooth operation
- Compatible with standard domestic style 2-bar carts
- Over 21" of ground clearance
- Thinline design works in conjunction with most commercial container lift bars
- Dumps cart higher and deeper inside the hopper opening to prevent spillage and increase route stops before cycling packer blade
- Self-lubricating composite bearings at main pivot points
- Powder-coated finish for durability
- 2-Year Limited Warranty

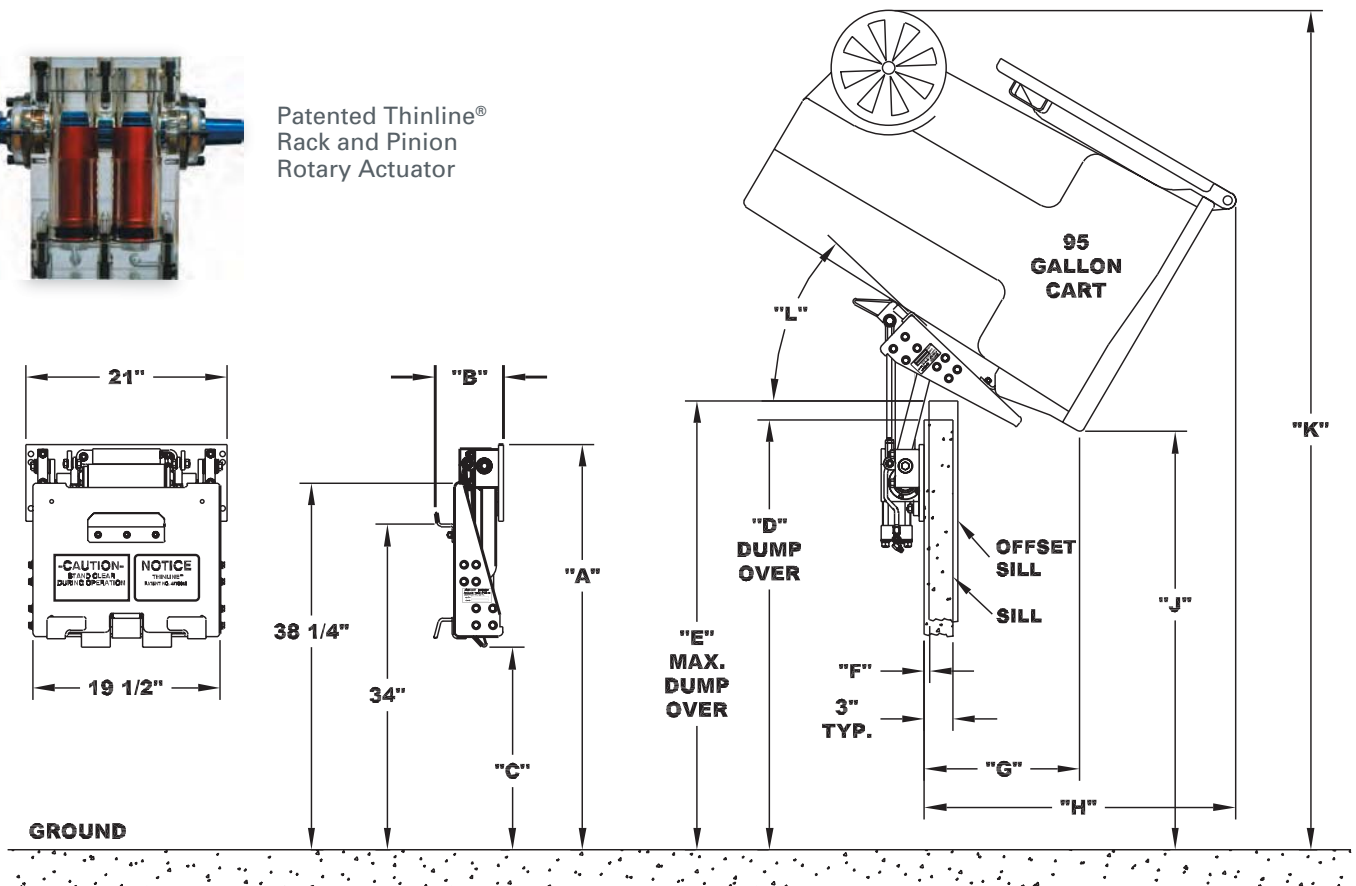


Precision, Quality and...Patented Engineering!

<b>Cart Compatibility:</b>	ANSI Z 245.60-2008 Type B Carts (domestic style 2-bar)
<b>Lift Capacity:</b>	400 lbs @ 1800 psi
<b>Hydraulic Pressures:</b>	Maximum Pressure – 3000 psi (lifter only) Maximum Pressure – 2500 psi (with vertical)
<b>Hydraulic Flow:</b>	2.0 – 2.5 gpm
<b>Cycle Time:</b>	6 – 8 seconds (lifter only) 8 – 10 seconds (with 9" vertical)
<b>Bearings:</b>	Self-Lubricating Composite Material
<b>Actuator:</b>	Patented Thinline® Rack and Pinion Rotary Actuator
<b>Finish:</b>	Safety Yellow Powder Coating
<b>Options:</b>	<ul style="list-style-type: none"> <li>• Tap-In-Kit</li> <li>• Mounting Plate Kit for Bolt-On Application</li> <li>• Commercial Container Bumper Kit</li> </ul>



Patented Thinline®  
Rack and Pinion  
Rotary Actuator



MODEL NUMBER	"A" DIM.	"B" DIM.	"C" DIM.	"D" DIM.	"E" DIM.	"F" DIM.	"G" DIM.	"H" DIM.	"J" DIM.	"K" DIM.	"L" DIM.
BTL 1110	38 1/4"	7 1/8"	21 1/4"	39 1/8"	N/A	N/A	16 1/4"	32 3/8"	35 3/4"	79 5/8"	43°
BTL 1112	40 1/4"	7 1/8"	21 3/8"	42"	43 1/4"	3/8"	16 5/8"	31 1/2"	40 3/4"	83 1/2"	40°
BTL 1114	42 1/4"	7 1/8"	21 1/8"	44 3/4"	46 5/8"	1/2"	16 1/4"	32 1/2"	43 5/8"	87 5/8"	43°