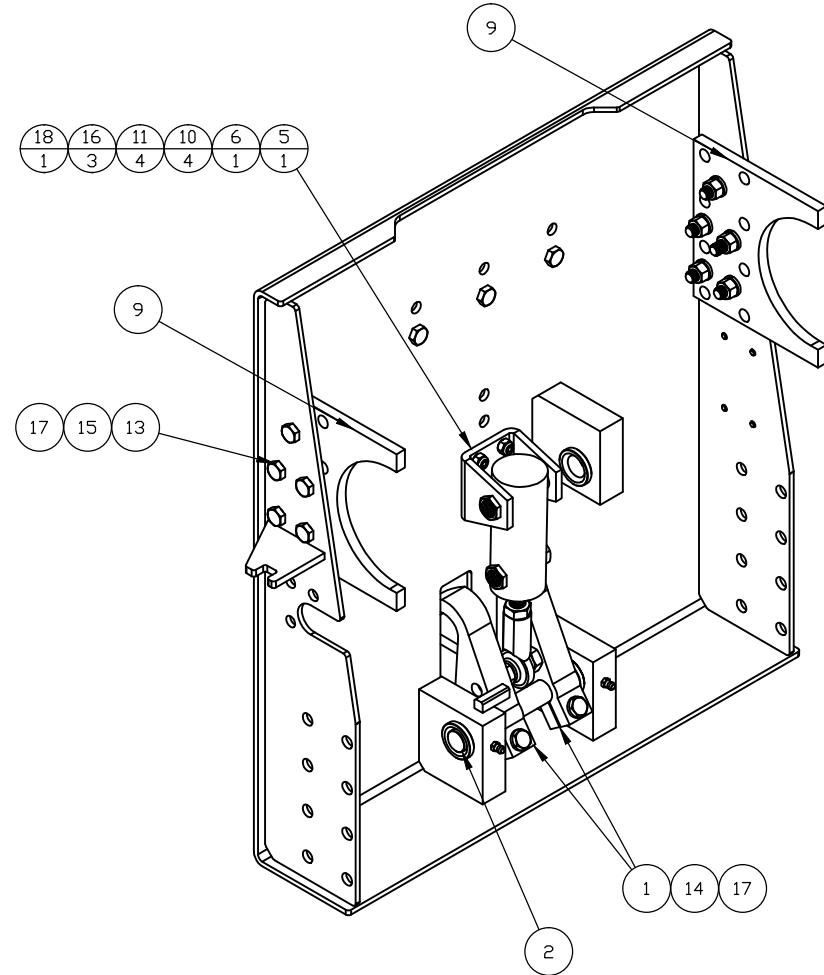
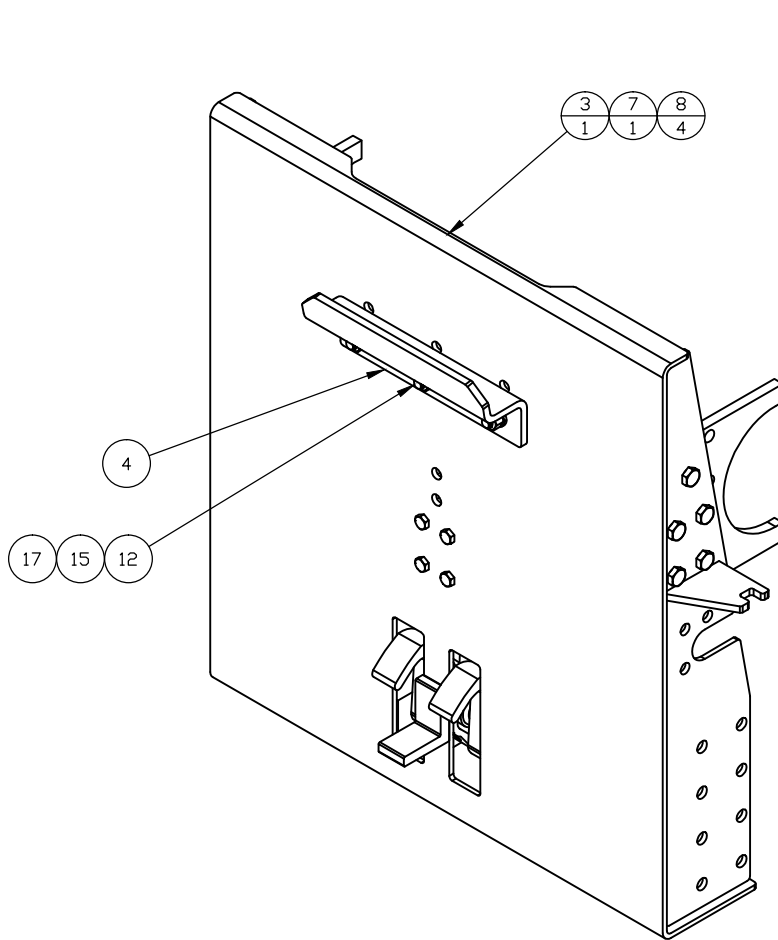


ITEM	PART NO.	DESCRIPTION	QTY
1	2000-1401	HOOK-TL MANUAL FACEPLATE	2
2	2000-1471	HOOK SHAFT 6 1/4' LDNG	1
3	2000-1520	FACEPLATE WELDMENT	1
4	2000-3900	SADDLE	1
5	3000-0001	AIR CYLINDER	1
6	7202-0800	1/2-20 SPHERICAL ROD END	1
7	7500-0070	MODEL/SERIAL NAME PLATE	1
8	7500-0071	DRIVE SCREW	4
9	7500-1025	WELD PLATE	2
10	8901-0400	1/4-20 SELF-LOCKING NUT	4
11	9001-0406	1/4-20 x 3/4' H.H.C.S.	4
12	9001-0608	3/8-16 x 1' H.H.C.S.	3
13	9001-0610	3/8-16 x 1 1/4' H.H.C.S.	10
14	9002-0608	3/8-24 X 1' H.H.C.S.	2
15	9401-0600	3/8-16 HEX NUT	13
16	9502-0800	1/2-20 JAM NUT	3
17	9700-0600	3/8' LOCK WASHER	15
18	9902-0824	THREADED STUD #1/2' X 3'	1



A	MOVED 4200-0021 TO 2000-1520	04/19/10	CTT	C1589
REV.	REVISIONS	DATE	REV. BY	CHK. BY
E.T.				E.C.R. NO.

CONFIDENTIAL

This drawing is private and confidential communication and the property of BAYNE MACHINE WORKS, INC., Greenville, S.C. It MUST NOT be copied or lent without consent of BAYNE MACHINE WORKS, INC., and must be promptly returned with tender and/or completion of order to the purchasing department.

SCALE: 1=3 SHEET 1 OF 1 REV. A

BAYNE MACHINE WORKS, INC.
910 FORK SHOALS ROAD - GREENVILLE, SC 29605 - 864.288.3877

TOLERANCES IF NOT NOTED:
0.000 ±0.005 - 0.00 ±0.015
0/0 ±1/32 - ANGULAR ±0.25

DRAWN BY: CTT

DATE: 12/06/05

CHK'D BY: -

DATE: -

TITLE: AIR CYLINDER
MANUAL HOOK LIFT

DWG. NO.: 1905-0080