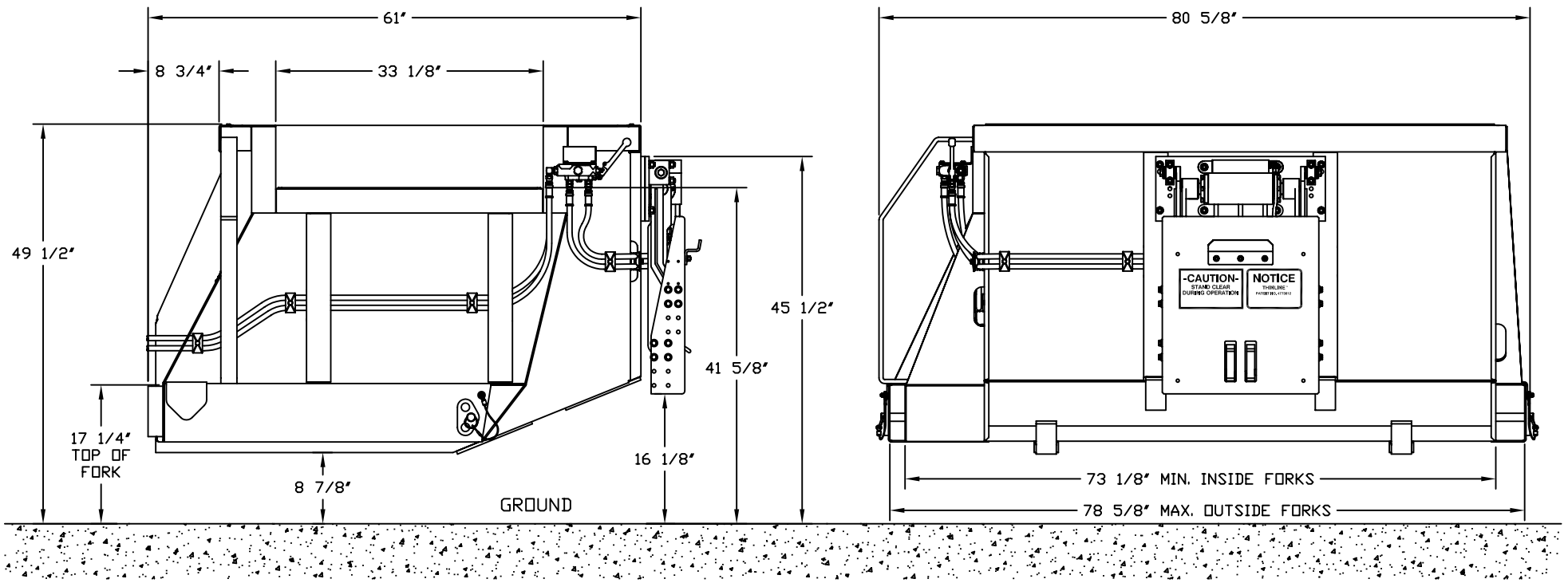


NOTE:

1. DIMENSIONS ACCOMMODATE ANSI Z245.60-1996 TYPE B (DOMESTIC 2-BAR) CONTAINERS, BUT MAY VARY DUE TO CONTAINER SPECIFICATIONS OR APPLICATIONS.
2. ALL DIMENSIONS ARE APPROXIMATE.



CONFIDENTIAL

This drawing is private and confidential communication and the property of BAYNE MACHINE WORKS, INC., Greenville, S.C. It MUST NOT be copied or lent without consent of BAYNE MACHINE WORKS, INC., and must be promptly returned with tender and/or completion of order to the purchasing department.

SCALE:  
NONE

SHEET OF  
1 1

REV.  
-

**BAYNE MACHINE WORKS, INC.**  
910 FORK SHOALS ROAD - GREENVILLE, SC 29605 - 864.288.3877

TOLERANCES IF NOT NOTED:  
0.000 ±0.005 - 0.00 ±0.015  
0/0 ±1/32 - ANGULAR ±0.25°

DRAWN BY:  
CTT

DATE:  
01/06/06

CHK'D BY:

DATE:

TITLE: SPECIFICATIONS  
TL 1120 CARRY CAN

DWG. NO.:  
H5300009